

RoHS Compliant

Manostar Small Panel-Mount Low Differential Pressure Gauge: FR51

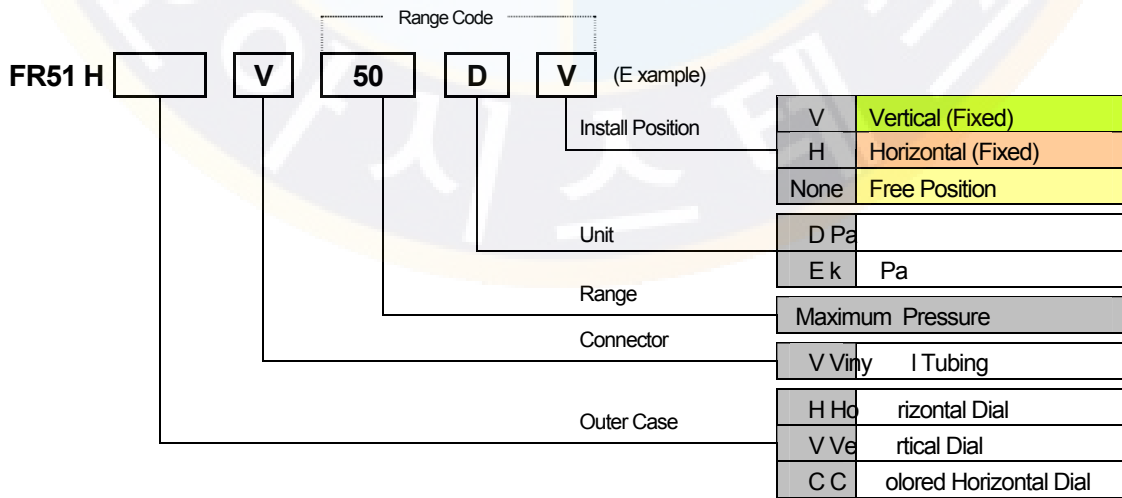


FR51HV



FR51VV

Product Code



Specifications

Model	Horizontal Dial	Vertical Dial	Colored Horizontal Dial
	FR51 HV	FR51 VV	FR51 CV
Unit	Pa, kPa		
Type of Measurement	Differential Pressure		
Mechanism	Diaphragm		
Gases Measured	Air and non-corrosive gases (no liquids)		
Dial Shape	Edge Width (Dial Length: Appx. 45mm)		
Operating Temp.	-10°C ~50°C (no icing)		
Operating Humidity	90%RH or less (no condensation)		
Maximum Pressure	50kPa		
Outer Casing	Denatured acrylic resin and denatured polyphenylene resin		
Shock Resistance	5~10Hz Total Amplitude 10mm 10~50Hz Accelerated Amplitude 39m/s ² (2hours in each triaxial direction)		
Vibration Resist.	100m/s ² (6 times in each triaxial direction)		
Applicable Tubing	Soft PVC or rubber tubing (inner diameter 4mm)		
Connectors	Built-in		
Connector Orientation	High pressure side marked "H", Low pressure side marked "L"		
Weight	Approx. 100g		
Accessories	Nut set		

Range Code	Display Range	Standard Install Position	Accuracy at 20°C	Diaphragm Material	Max. Diaphragm Pressure
50DH	0~50 Pa	Up.Horizontal	±2.5%FS	Silicon Rubber	20kPa
50DV		Vertical			
100DH	0~100 Pa	Up.Horizontal			
100DV		Vertical			
200D	0~200 Pa	Free position: Upward Horizontal- Vertical- Downward Horizontal			
300D	0~300 Pa				
500D	0~500 Pa				
1000D	0~1000Pa				
2E	0~2 kPa				
3E	0~3 kPa				
5E	0~5 kPa				
±50DH	±50 Pa	UP.Horizontal			
±50DV		Vertical			
±100D	±100Pa	Free position: UH- V- DH			

- If you are planning to install the gauge facing downward (horizontally, or at an angle), please let us know at the time of your order, as the unit must be adjusted prior to shipment.